

Before commencing with the installation of your sliding door please ensure that you have received all of the following:

1. 2 x jambs (uprights of the frame)
2. 1 x head rail (top track)
3. 1 x sill rail (bottom track) with the sliding track attached to it.
4. 1 x head rail cover
5. 1 x sill rail cover
6. 1 x jamb cover
7. 1 x set of handles with male/female mounting screws
8. 1 x sliding panel (the one with holes for the handle set)
9. 1 x fix door panel
10. 1 x rubber stopper plus 1 x screw 8 x 19mm
11. 1 x E-keep plus 2 x pop rivets 4 x 10mm
12. 2 x wheels
13. 4 x screws 8x19mm (for assembling the frame)
14. 2 x pop rivets (for mounting the E-keep to the jamb)

To assemble and install the sliding door you will need the following:

1. Small ladder or step
2. Tape measure
3. Spirit Level
4. Silicone sealant – colour closest to the finish of the product
5. An adequate quantity of 8x70mm knock-in wall anchors. Allow 1 wall anchor for every 500mm of frame length, thus the height plus the width of your door (in millimeters), multiply by two, then divide by 500, will give you the required number of wall anchors
6. #2 Pozi Screwdriver
7. Pop-Riveter
8. 8mm Masonry drill bit
9. 12mm Steel drill bit (only if the mounting will be through the frame itself and not with fixing lugs)
10. Electric drill with hammer action for drilling into masonry
11. Hammer
12. A small selection of wood off-cuts. These will come in handy when levelling the frame work.
13. An extra pair of hands to help with lifting etc.

Safety:

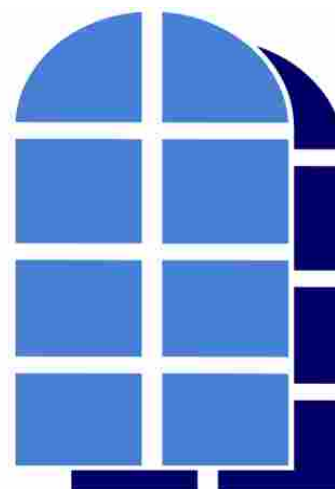
1. Read and fully understand ALL manufacturers' instructions before beginning.
2. Do not work alone. Two or more people are required.
3. Use safe lifting techniques.
4. Use caution when handling glass. Broken or cracked glass can cause serious injury.
5. Wear protective gear (e.g. safety glasses, gloves, ear protection, etc.).
6. Operate hand/power tools safely and follow manufacturer's operating instructions.
7. Use caution when working at elevated heights.

For building opening: add 10mm to door height & width

If injury occurs, immediately seek medical attention!

Thank you for choosing Abcus Windows & Doors

Please visit www.abcus.co.za for more formation.



ABCUS INVESTMENTS CC

Trading as:

ABCUS WINDOWS & DOORS

(Reg. Nr. 2003/07770/23)

301 Zasm street
Waltloo

Tel: (012) 803 8791

Fax: (012) 803 9259 / 086 692 7449

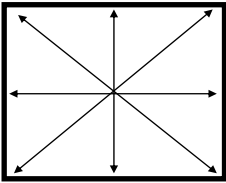
E-mail: sales@abcus.co.za

Aluminium Glass Sliding Door Installation Instructions

**Before you begin installation of the door,
we suggest you familiarize yourself
with the content of this pamphlet**

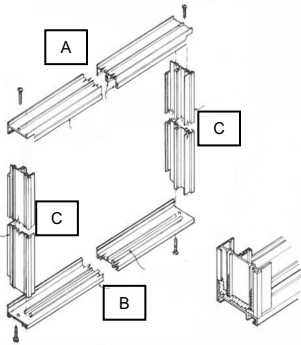
**PLEASE NOTE INSTRUCTIONS
AND SAFETY ON THE BACK OF
THIS LEAFLET**

STEP 1: OPENING



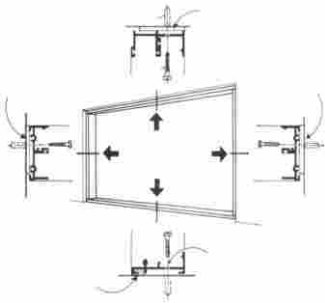
1. Check that the opening in the wall is plumb and square.
2. Ensure the sill is level and flat and the opening to size.

STEP 2: FRAME ASSEMBLY



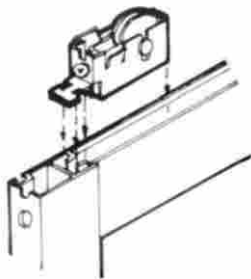
1. Remove the four frame sections from their bundle and lay out.
2. Position these on the floor, as close to the opening as practically possible.
3. These should be laid out as if you were viewing the frame and opening FROM THE OUTSIDE.
4. The frame sections are:
A – HEAD RAIL x 1
B – SILL RAIL x 1
C – JAMBS x 2
5. Seal corners of frame from the outside. Forcing the sealant in and around each contour.

STEP 3: POSITIONING FRAME



1. With the assistance of a second person, lift the frame into position. Using the spirit level, ensure that the frame is plumb and level on all planes.
2. Drill holes in frame for fixing screws max 500 apart in jambs head and sill.
3. Mark positions on walls and floor.
4. Remove the frame and drill masonry and fit plugs.
5. Place a run of sealant under track on the floor, replace frame on sealant, centrally in opening.
6. Use wood or suitable packing (washers, wooden wedges & packers) and temporarily secure using nails.
7. Neatly seal the corners of the Outer Frame and all screw heads with UV resistant silicone, ensuring all possible points of water ingress are completely sealed

STEP 4: INSERTING WHEELS



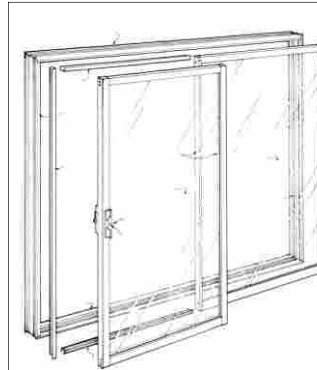
1. Select sliding door panel – this is the panel with holes in the upright for the handles.
2. Clip rollers into bottom of sliding panels, making sure that the adjusting screws lines up with the hole drilled in the panel uprights.
3. The 2 outstanding wings must clip under flanges in the bottom and/or top rail.

STEP 5: INSERTING FIX PANEL



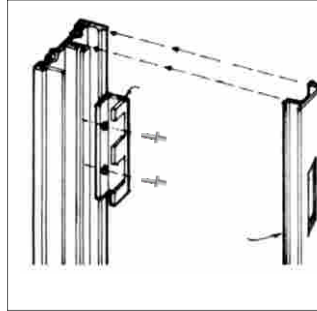
1. Install the panel from the outside.
 2. Put the head of the panel lip onto the outside header rail.
 3. Lift the screen and swing the bottom onto the panel track.
- Then slide firmly to the side, the fix panel should be on and fixed into place.

STEP 6: INSERTING SLIDING PANEL



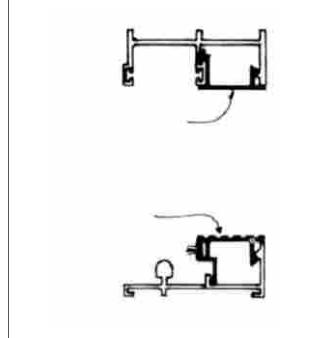
1. Install the sliding panel.
2. Lift the door into position, top first and then pivot the bottom into place making sure that the wheels are on the track.
3. Adjust the door by sliding it nearly closed and then you can see if it is plumb with the frame.
4. Adjust the wheels at both the top and bottom in order to centre the screen between the head and track.
5. **Note! Too much tension will not allow the wheels to roll properly.**

STEP 7: LOCK AND HANDLES



1. Fit lock and handles to sliding panel.
2. Ensure that lock hook points upward in locked position.
3. Fit keep to Jamb and fix with 2 pop rivets 4x10mm.
4. Clip Jamb Cover into Jamb

STEP 8: COVERS



1. Snap in Head Cover between fixed panel and Jamb Cover (Open out if too loose).
2. Snap in Sill Cover between fixed panels and Jamb Cover.
3. Pull fixed panel against ends of Head Closer and threshold to ensure no gap and proper engagement of interlock bars.
4. Secure fix panel with 2 pop rivets 4x10mm from the inside through Sill and Panel (one at top and one at bottom).

STEP 9: STOPPER



To stop the door, fix the black rubber buffer stopper with screw 8x19mm in the centre of the jamb on the fixed panel side.

STEP 10: SEALING



When the door is in proper working order the opening between the frame and building must be carefully sealed all around with suitable sealant to established procedures for waterproofing.

STEP 11: CLEANING



When satisfied the product is satisfactorily installed, gently clean all cement, excess silicone and hand prints from the glass and aluminium surfaces using a soft wet cloth, being careful to avoid scratching.